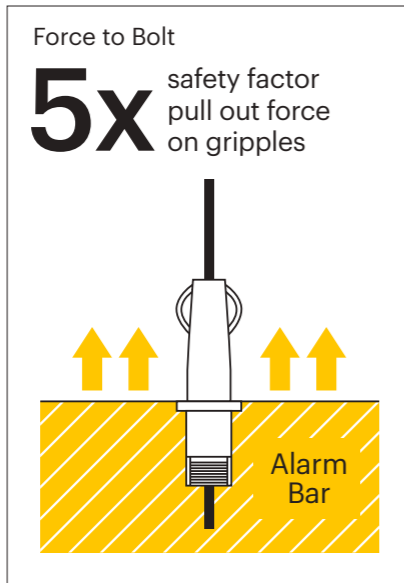


# Technical Information

Power
12V (battery operation offers increased flexibility on installation)
2 years battery life in normal operation
LEDs
2x Red Flashing Indicator strips (40 Seconds after impact)
Brightness: 68lm/M



Material Properties	MEMAPLEX™
Temperature Range	+5°C to 50°C
Ignition Temperature	370°C to 390°C
Flash Point	350°C to 370°C
Toxicity	Not Hazardous
Chemical Resistance	Excellent - ISO/TR 10358
Weathering Stability (Grey Scale)	5/5*
Light Stability (Blue Wool Scale)	7/8**
Static Rating (Surface Resistivity)	1015 - 1016 Ω
Hygiene Seals	No

\* Weathering scale 1 is very poor and 5 is excellent  
 \*\* Light stability scale 1 is very poor and 8 is excellent

Audio & Visual Alerts

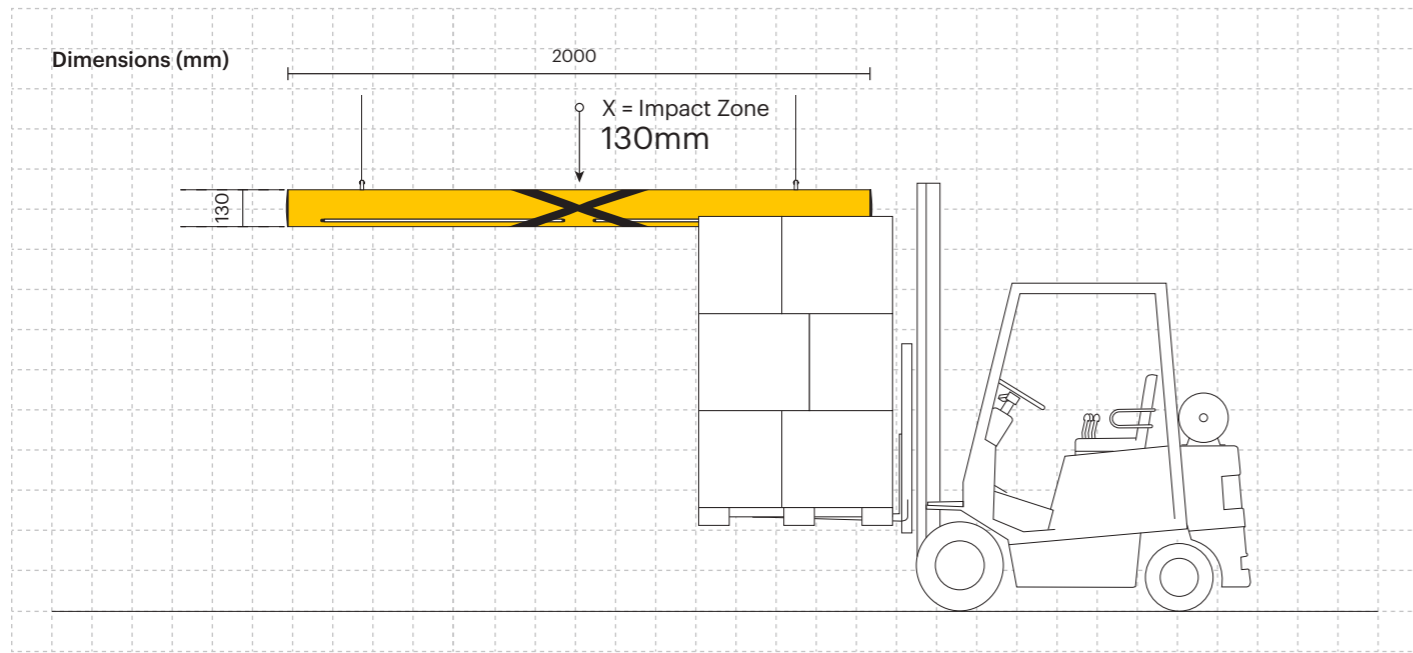
Level per buzzer:

**2x** Buzzers per Alarm Bar

**102dB\***

Buzzer **20** seconds after impact

Flashes **40** seconds after impact



Colour Combinations

\*Please note that the RAL and PANTONE colours listed are the closest match to standard A-SAFE colours, but may not be exact matches of the actual product colour and should be used for guidance only.

\* Based on sound measured at a distance of 10 cm from sound port in an environment with 73.3 dB of ambient noise. Detected sound levels vary by distance and position of SPL meter in relation to sound ports.



## Alarm Bar



Designed to protect overhead assets from accidental damage from moving vehicles.

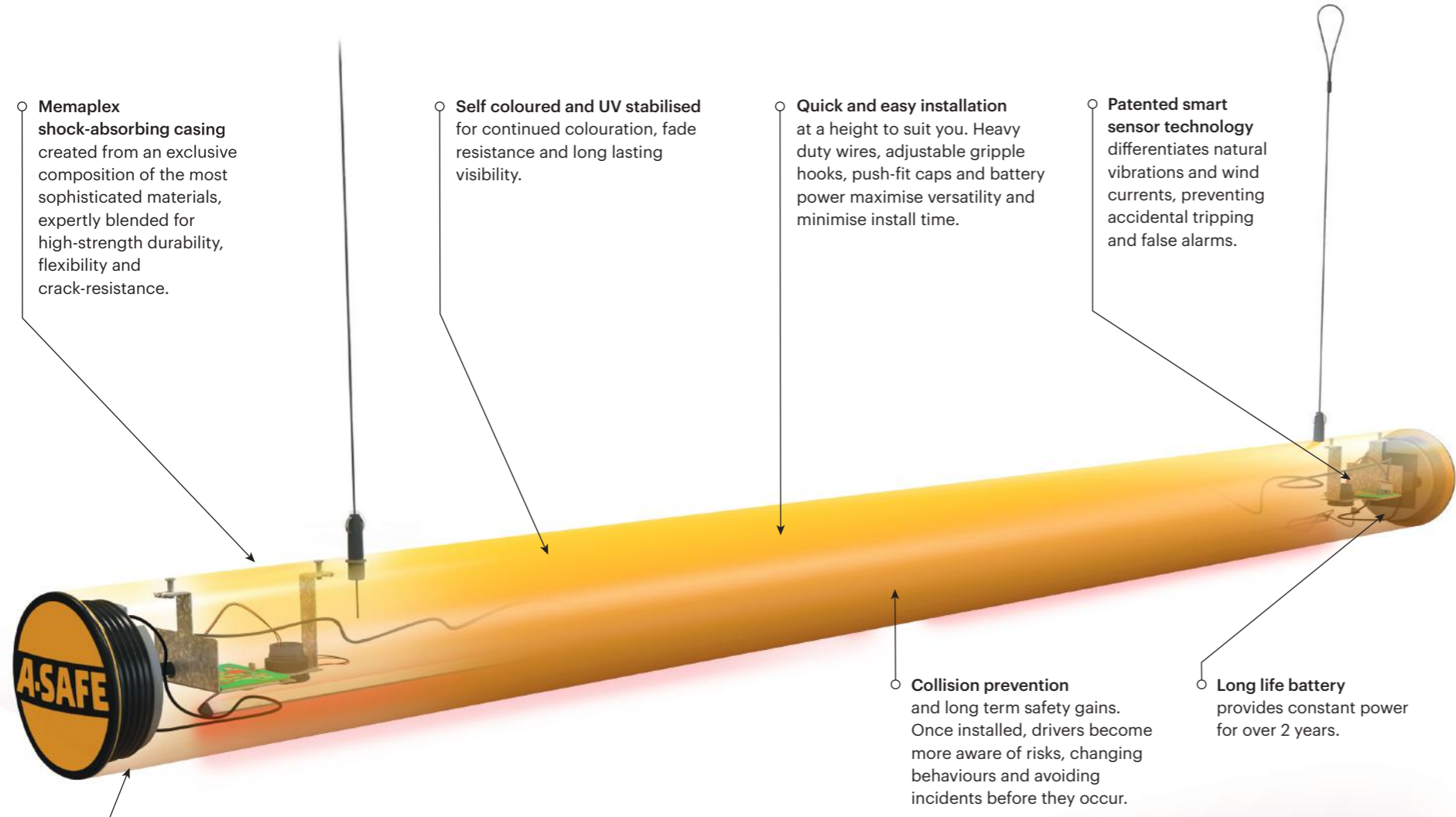
This ceiling-mounted barrier provides audible and visible alarms to prevent damage before it happens, averting vehicle impacts and changing driver behaviour over time.

Quick and easy to install, it can be used to safeguard doorframes, loading docks, infrastructure and overhead walkways, as well as key safety assets such as sprinkler systems and ventilation pipes.

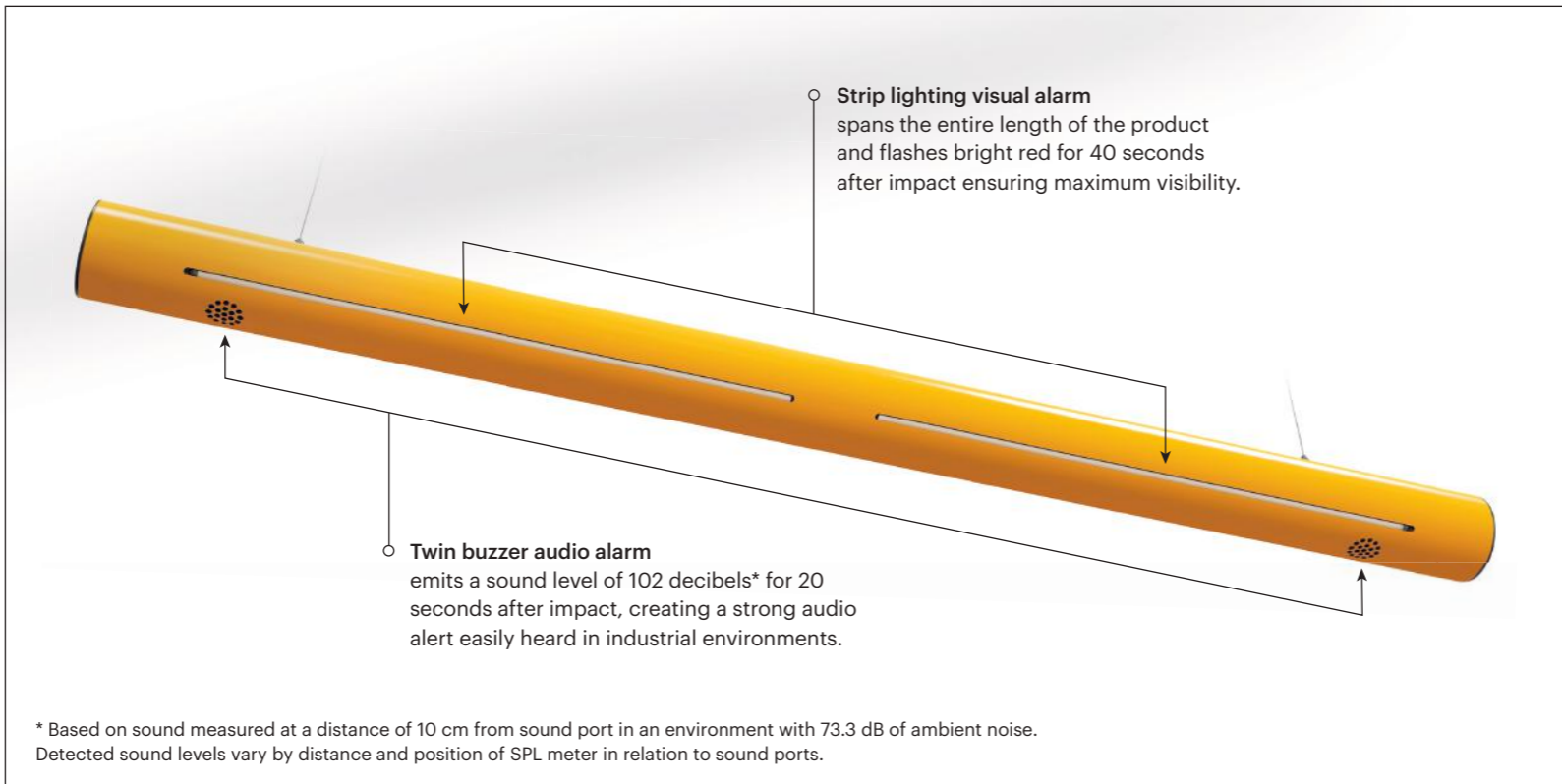


# Engineered for performance

A-SAFE's state of the art products are meticulously engineered to deliver the highest performance. Designed, developed, tested and manufactured in-house at our cutting-edge facility, each design element is carefully crafted and purpose-built to play a vital role in the product's performance.



**Plug and play** battery adaptor makes it quick and easy to replace batteries without the need for screws.



\* Based on sound measured at a distance of 10 cm from sound port in an environment with 73.3 dB of ambient noise. Detected sound levels vary by distance and position of SPL meter in relation to sound ports.



Protect low hanging infrastructure in environments where high-level vehicles such as forklift trucks are in operation.



Twin buzzers each emit a 102 decibel alarm for 20 seconds, the equivalent of a car horn 1 metre away. Simultaneously, indicator strips flash bright red for 40 seconds, creating a complete and powerful audio-visual alert.