

HA41 RTJ PRO



PERFORMANCE & EASE OF USE

- > Outstanding rough terrain driving features: 4 wheel drive and steer, oscillating axle
- > Up to 4 simultaneous, proportional movements
- > The smallest turning radius on the market
- > Continuous outreach control

OPTIMIZED SERVICE ABILITY

- > Exclusive modular basket easy and quick to repair
- > Easy access to all components
- > Self-diagnosis tool integrated on the lower control box

BEST SAFETY FEELING

- > Haulotte Activ'Shield Bar 2.0

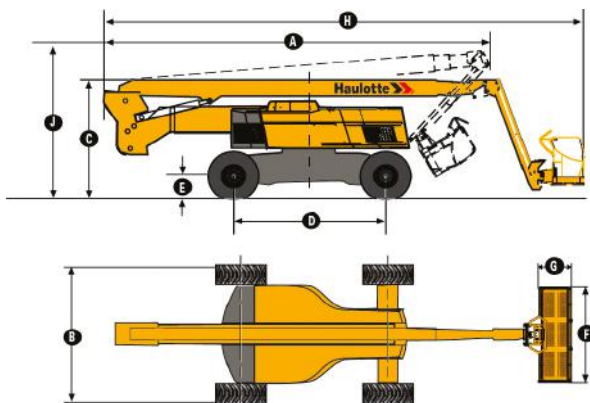


HA41 RTJ PRO

ROUGH TERRAIN ARTICULATING BOOMS

TECHNICAL DATA

	HA41 RTJ PRO 4WD / 4WS
Working height	41.5 m
Platform height	39.5 m
Horizontal outreach	20.1 m
Up and over clearance	17.5 m
Below ground reach	1.5 m
Lift capacity	230 kg (2 pers.)
F x G Platform size	2.44 x 0.91 m
H Length - stowed	13.1 m
A Storage / transport length	11 m
B Width	2.53 m
Width - with extended axles	3.3 m
C Height - stowed	2.99 m
J Storage / transport height	3.73 m
Vertical jib rotation	140° (+ 70° / - 70°)
Platform rotation	180° (+ 90° / - 90°)
Turntable rotation	360° continuous
Tailswing	3.88 m
D Wheelbase	3.5 m
E Ground clearance	38 cm
Tilt	4°
Maximum wind speed rating	45 km/h
Gradeability	40 %
Turning radius - outside axle extended	5.74 m
Tyres - foam-filled	445 / 65 - 22.5
Power source	Deutz, 55 kW, Turbo (Stage 5 in EU) - Perkins, 62.5 kW, Turbo (Stage 3A in NRC)
Weight	23 900 kg



STANDARD EQUIPMENT

- > Haulotte Activ'Shield Bar 2.0
- > Universal telematics plug
- > 4 wheel drive and steer
- > Front oscillating axle increasing stability on uneven ground
- > 2 extendable axles
- > Proportional controls enhancing comfort and safety
- > 4 simultaneous movements for highest productivity
- > Differential wheel lock increasing rough terrain capacity
- > Upper control box protection cover and tool tray in plastic ultra-solid
- > Common modular large platform with drop bar entry gate
- > Basket compensation $\pm 10^\circ$
- > Power to platform 110 V / 220 V (female plug in the basket)
- > Enhanced Swing out engine tray for ease of maintenance
- > Sound and light alarm for tilt and load
- > Driving beacon
- > Travel alarm
- > Electric pump system and emergency descent controls upper control box
- > 12 V battery
- > Engine pre-heater with light indicator
- > Low fuel level indicator (upper control box)
- > Towing hooks
- > Hydrostatic transmission

OPTIONS AND ACCESSORIES

- > Air line to platform
- > Lateral swing door gate
- > On-board hydraulic 3.5 kW generator
- > Biodegradable hydraulic oil
- > Hydraulic oil cooler
- > Cap with key for diesel tank
- > Hydraulic oil in tank and circuit for warm countries
- > Cold weather kit
- > Pipe cradle pack
- > Glazier Pack
- > Automatic Overspeed Air Shutdown Valve (electric one-way valve, flame arrestor, spark arrestor)
- > 55 W Platform working light

