



HTL 3210

Precision and flexibility

- Proportional control of all movements
- Hydrostatic transmission and inching pedal

Compact and versatile

- Stabilizers lowering on a 2,26 m width
- 5m length
- Short turning radius

Comfort and ergonomomy

- Driving position reduces fatigue at work
- LMI easy to read with cut off dangerous movements
- Smart control 4 in 1 joystick



Placing height : 10 m



Maximum lift capacity :
3200 kg

Haulotte 
GROUP

More than lifting



HTL 3210



TELEHANDLER

Placing height : 10 m
Maximum lift capacity : 3200 kg

PERFORMANCES

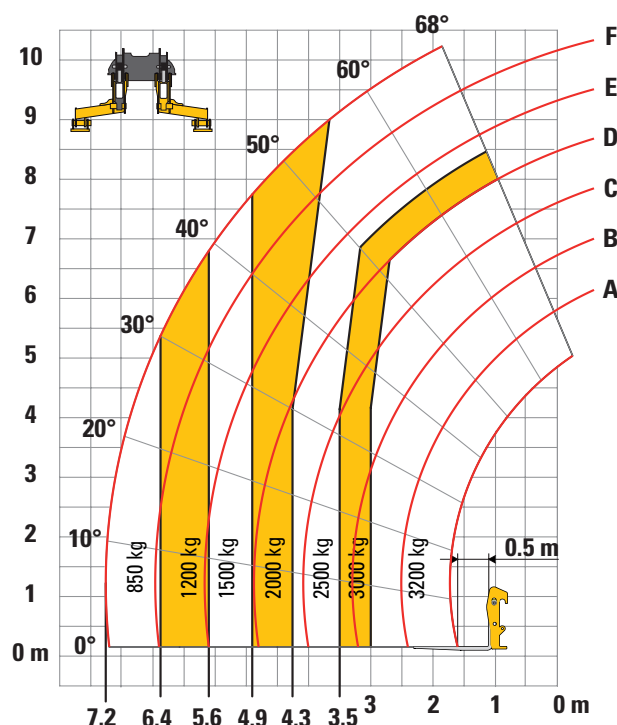
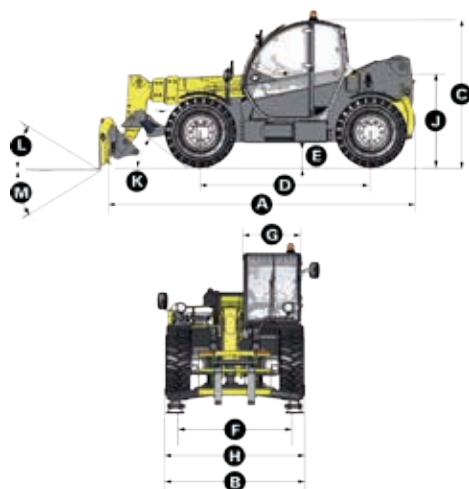
Maximum lift capacity	3200 kg
Lift capacity to full height	2500 kg
Lift capacity at full reach	850 kg
Maximum fork height	10 m
Reach at maximum fork height	2.2 m
Maximum forward reach	7.2 m

DIMENSIONS

A Length	4.96 m
B Width	2.26 m
C Height	2.38 m
D Wheelbase	2.78 m
E Ground clearance	42 cm
F Track width	1.88 m
G Cab width	0.96 m
H Overall width - stabilizers down	2.26 m
J Height to high boom pivot	1.6 m
K Approach angle	30°
L Upper rotation of forks	18°
M Lower rotation of forks	104°
Turning radius (outside wheels)	3.7 m
Weight with forks	7950 kg
Tyres type	405/70 - 20

ENGINE

Engine model	PERKINS TIER III
Engine Capacity	4400 cm ³
Engine power output	62 kW
Engine torque	354 Nm
Transmission type	Hydrostatic
Fuel tank	120 l
Engine oil	7 l



STANDARD EQUIPMENT

- Hydrostatic transmission
- 4 wheel drive and steer
- Fuel filter with water separator
- Gear equipment pump
- Proportional controls for movement of boom/telescopic arm/excavation and accessories
- Safety valves on hydraulic jacks
- Auxilliary hydraulic ports
- Overload/dangerous movements cut out switch
- Stabilizers lowering on a 2,26 m width
- ROPS/FOPS cabin with heating and ventilation

OPTIONS AND ACCESSORIES

- Cold Weather Package
- Biodegradable oil
- Cold environment oil
- Hot environment oil
- Air conditioning
- Working lights
- Buckets
- Jibs
- Electrically hydraulic controls
- Electrically hydraulic controls

