

HLT 13 X HLA 16 PX



- Automatic Levelling
- Working heights from 13.4m to 15.6m
- Dual power : Electric/Diesel
- Hydraulic Outriggers
- Easy to use controls
- Material lifting system available
- Automatic platform levelling
- Electric socket in the platform
- Hour and battery condition indicator
- Platform rotator (manual)



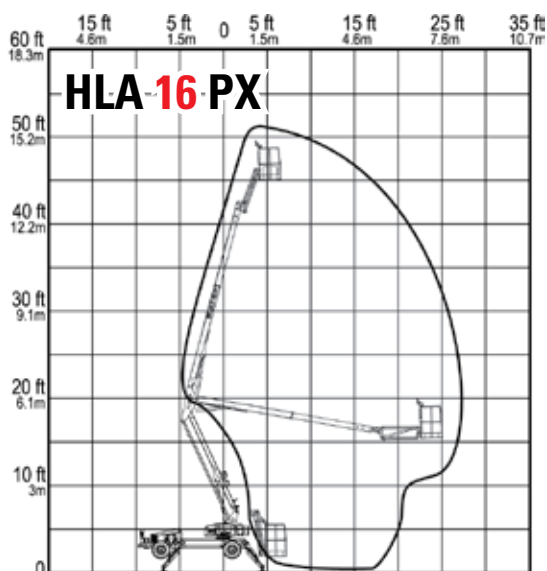
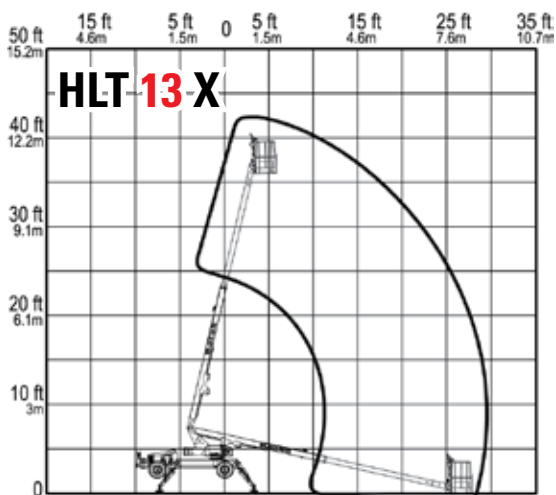
Haulotte 
GROUP

Experience in innovation



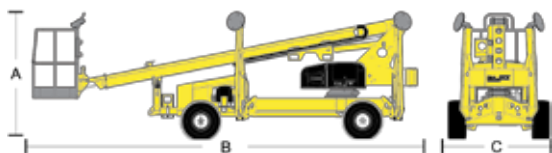
HLT 13 X / HLA 16 PX

LIGHTWEIGHT SELF-PROPELLED BOOMS

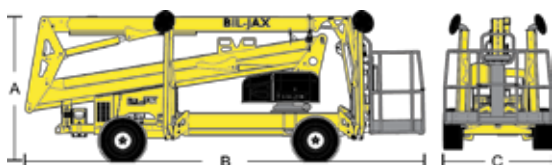


STOWED DIMENSIONS

HLT 13 X



HLA 16 PX



HLT 13 X HLA 16 PX

Working Height	(1)	13.4 m	15.6 m
Maximum Platform Height	(2)	11.4 m	13.7 m
Max. horizontal outreach from centerline	(3)	9.8 m	8.2 m
Max. horizontal outreach from Outrigger Edge	(3)	8.2 m	6.4 m
Up and Over Height		N/A	6.3 m
Turntable Rotation		700° NC	700° NC
Load Capacity	(4)	227 kg	227 kg
Levelling Capability		12 1/2°	12 1/2°
A - Height - stowed		1.99 m	2.06 m
B - Length - stowed		6.4 m	5.56 m
C - Width - stowed		1.65 m	1.68 m
Platform height		109 cm	109 cm
Platform length		76 cm	76 cm
Platform width		152 cm	152 cm
Platform Rotation / Type	(5)	120° / Manual	120° / Manual
Jib length		N/A	1.3 m
Jib vertical motion		N/A	150° (+70 / -80)
Jib horizontal rotate / Type	(5)	N/A	180° / Hydraulic
Length (fully deployed) - Outrigger Footprint		3.7 m	3.7 m
Width (fully deployed) - Outrigger Footprint		3.4 m	3.4 m
Footpad Diameter - Outrigger Footprint		32 cm	32 cm
Outrigger Type		Hyd. w/Auto Level	Hyd. w/Auto Level
Power Source		24V DV	24V DC
Fuel Tank Capacity		15.14 l	15.14 l
Batteries		4 x 6V 245 amp/h	4 x 6V 245 amp/h
Maximum Speed (IC Power)		5.6 km/h	5.6 km/h
Maximum Speed (DC Power)		3 km/h	3 km/h
Gradeability	(6)	45 %	48 %
Wheel Base		2.7 m	2.7 m
Turning radius - inside		3 m	3 m
Turning radius - outside		5.34 m	5.34 m
Brakes	(7)	Spring Applied / Hyd	Spring Applied / Hyd
Tyre size		26X12 Bar Lug Tires	26X12 Bar Lug Tires
Total Weight (GVW)	(8)	2277 kg	2139 kg

(1) Still refer to US standard - The metric equivalent of working height adds 2 m to the maximum platform height. U.S. adds 6ft to the maximum platform height

(2) Maximum platform height when outriggers are fully extended on a level surface.

(3) Measured from the edge of the platform plus 5 m arm reach.

(4) Capacity may vary depending on options equipped on machine. Consult factory for details.

(5) Offered as optional equipment.

(6) Dependent on adequate traction.

(7) Rear Only.

(8) Weight will vary depending on options and/or market destination; excludes transport trailer weight.

Haulotte 
GROUP